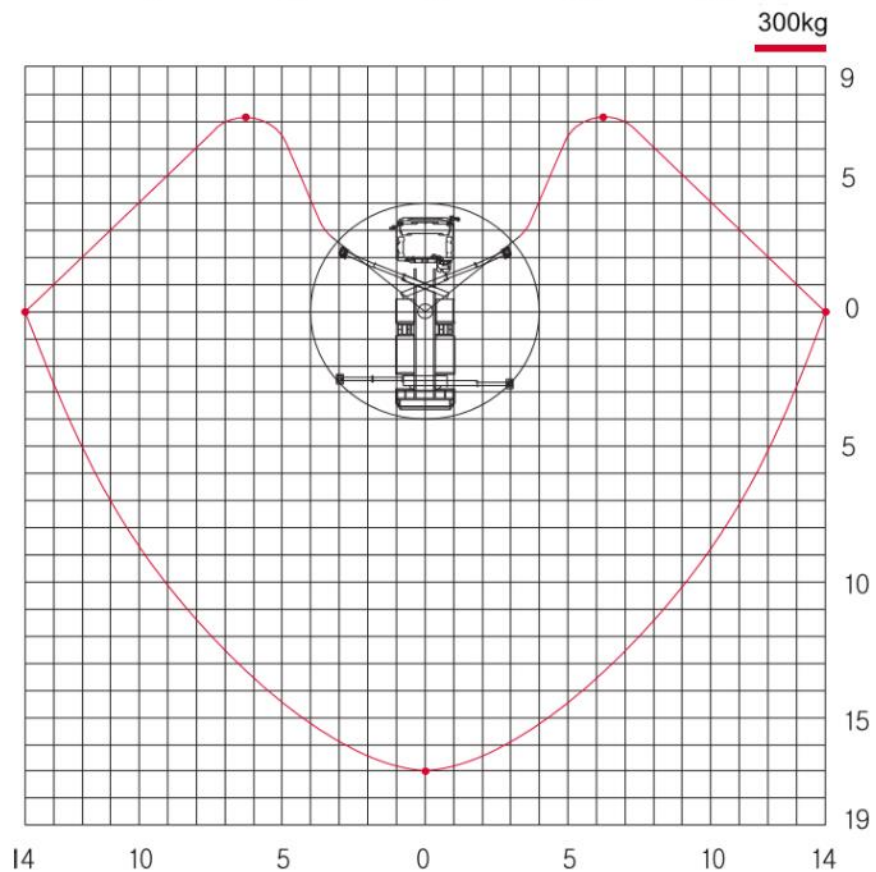
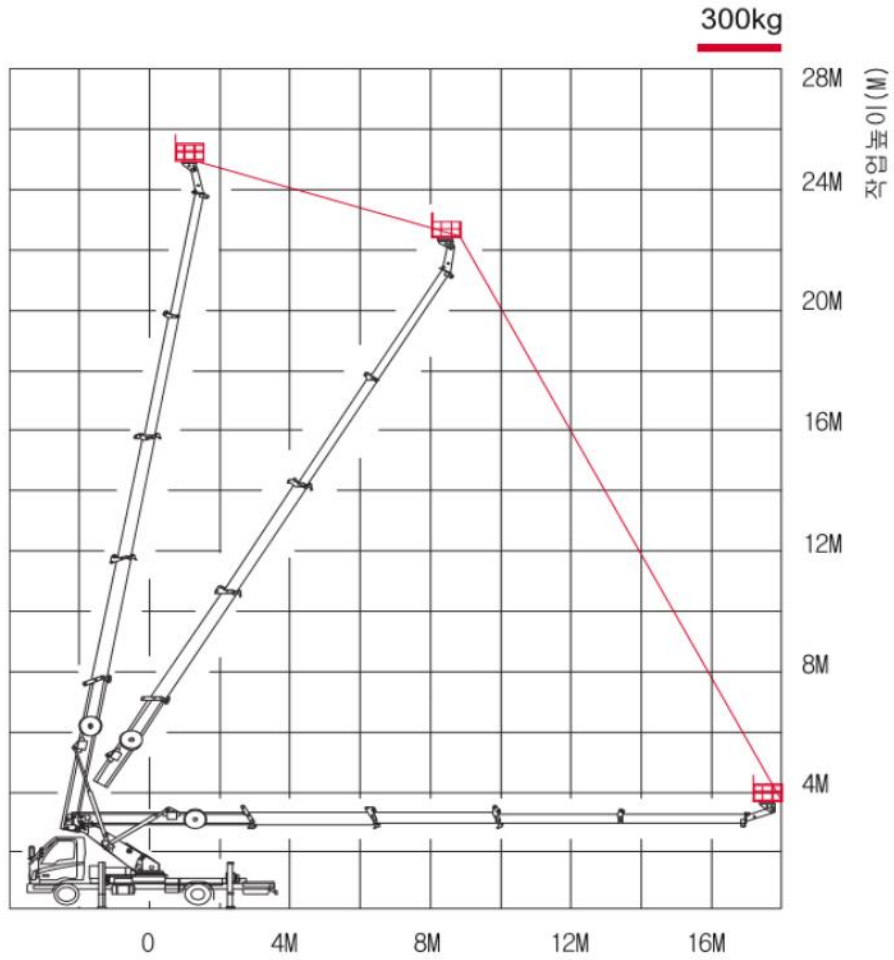


HANSIN HS2750S



Working Radius Diagram



Specification table

ITEM		UNIT	HS2750S
Vehicle on board			HYUNDAI 3.5ton LONG
Features	Height	mm	3135
	Width	mm	2160
	Length	mm	7395
	Gross Weight	kg	8175
Boom	Stage		5 Stages
	Shape		Hexagon
	Withdrawal Type		Extension at the same time
	Quality of the material		High tensile structural steel (ATOS80)
Outrigger	Type		X+H TYPE, Automatic Hydraulic Sytem
	Withdrawal Width	mm	F : 5970 / R : 6130
Work scope	Withdrawal Height	m	27
	Withdrawal Weight		2 persons or 300kg
Turning gear	Type		Hydraulic Reducer + Motor
	Turning angle		Left and Right 350°
Boarding Platform	Size		3000mm × 1000mm
	Turning Type		Hydraulic Reducer + Motor
	Turning angle		Left and Right 2 infinite rotation
Controlling device	Outrigger		Lever Type
	Boom		Wireless Remote controller
Convenience Device			Night Search Light, Remote Starting On/Off, Electronic Type Axel, Automatic Oil Cooler, Toolbox
Safety Device			Rollover Caution Safety, Over Center Valve, Pilot Check Valve, AML Safety
Options			Air Reel, Cabin