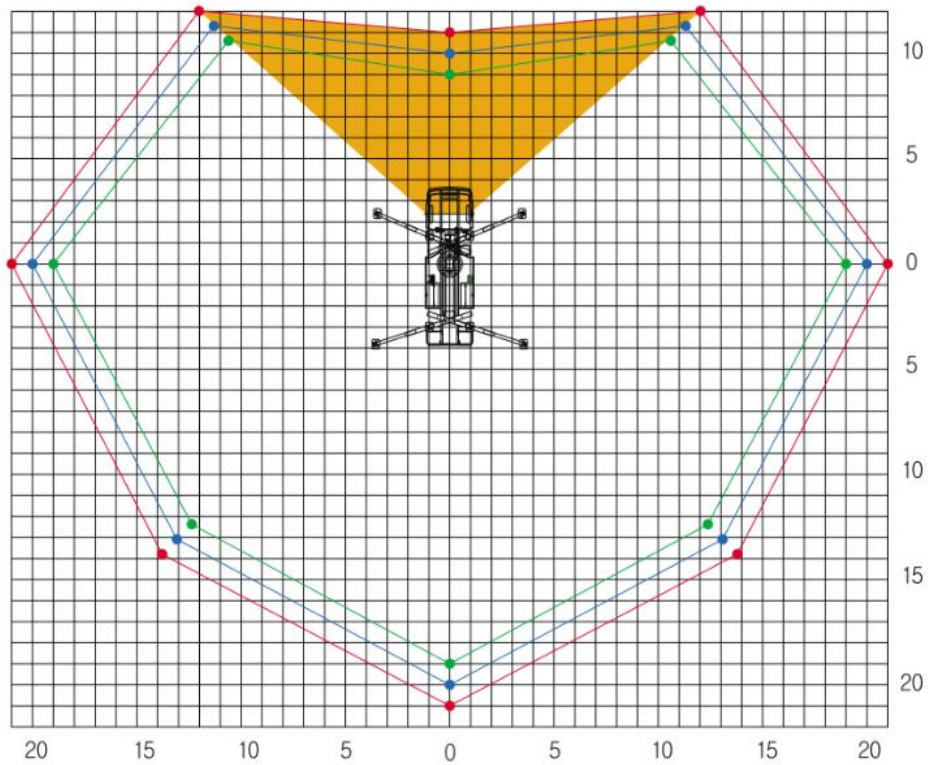
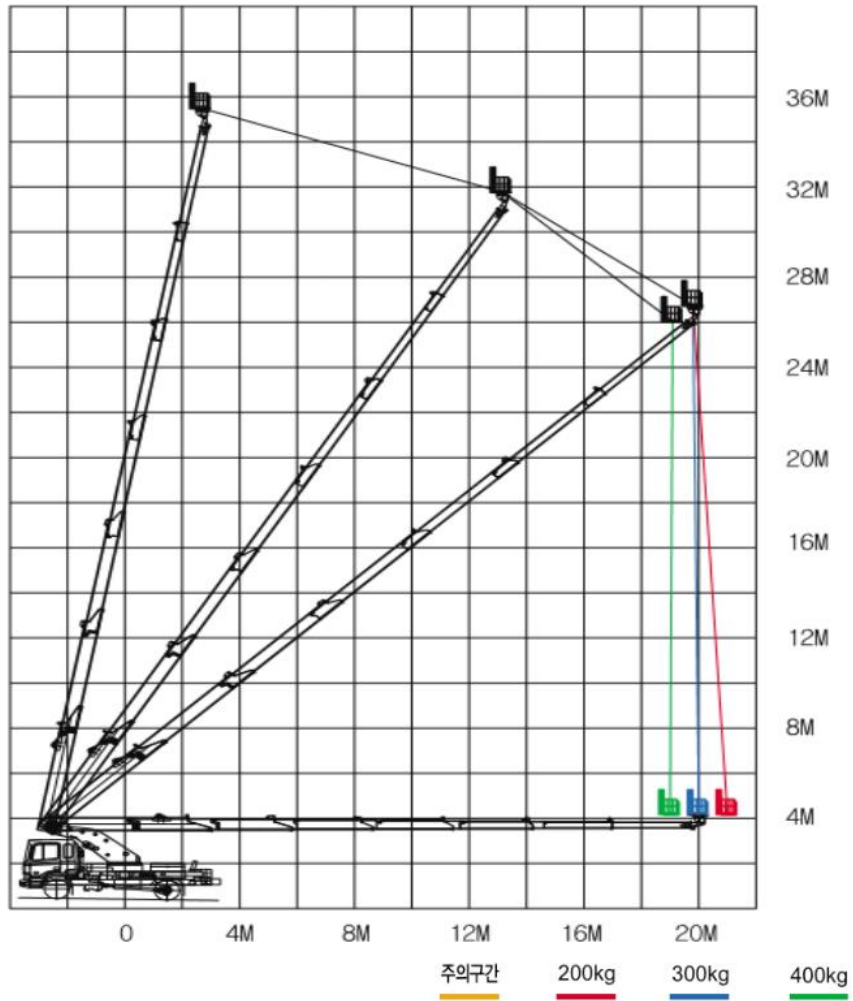


## HANSIN HS3870



# Working Radius Diagram

200kg      300kg      400kg



## Specification table

ITEM		UNIT	HS3870
Vehicle on board			HYUNDAI 5ton LONG
Features	Height	mm	3495
	Width	mm	2320
	Length	mm	7680
	Gross Weight	kg	13265
Boom	Stage		7 Stages
	Shape		Octagon
	Withdrawal Type		Extension at the same time, Chain and Wire
	Quality of the material		High tensile structural steel (ATOS80)
Outrigger	Type		X+X TYPE, Device Hydraulic
	Withdrawal Width	mm	7270(Front), 7450(Rear)
Work scope	Withdrawal Height	m	38
	Withdrawal Weight		2 persons or 400kg
Turning gear	Type		Hydraulic Reducer + Motor
	Turning angle		Left and Right 180°
Boarding Platform	Size		3240 X 1100
	Turning Type		Hydraulic Reducer + Motor, Automatic & Manual Level Adjustment
	Turning angle		Left and Right 2 rotations
Controlling device	Outrigger		Lever Type, Left and Right Type
	Boom		Wireless Remote controller
Convenience Device			Night Search Light, Remote Starting On/Off, Electronic Type Axle, Automatic Oil Cooler, Toolbox
Safety Device			Rollover Caution Safety, Over Center Valve, Pilot Check Valve, AML Safety
Options			Cabin, AL Cabin Boarding Platform