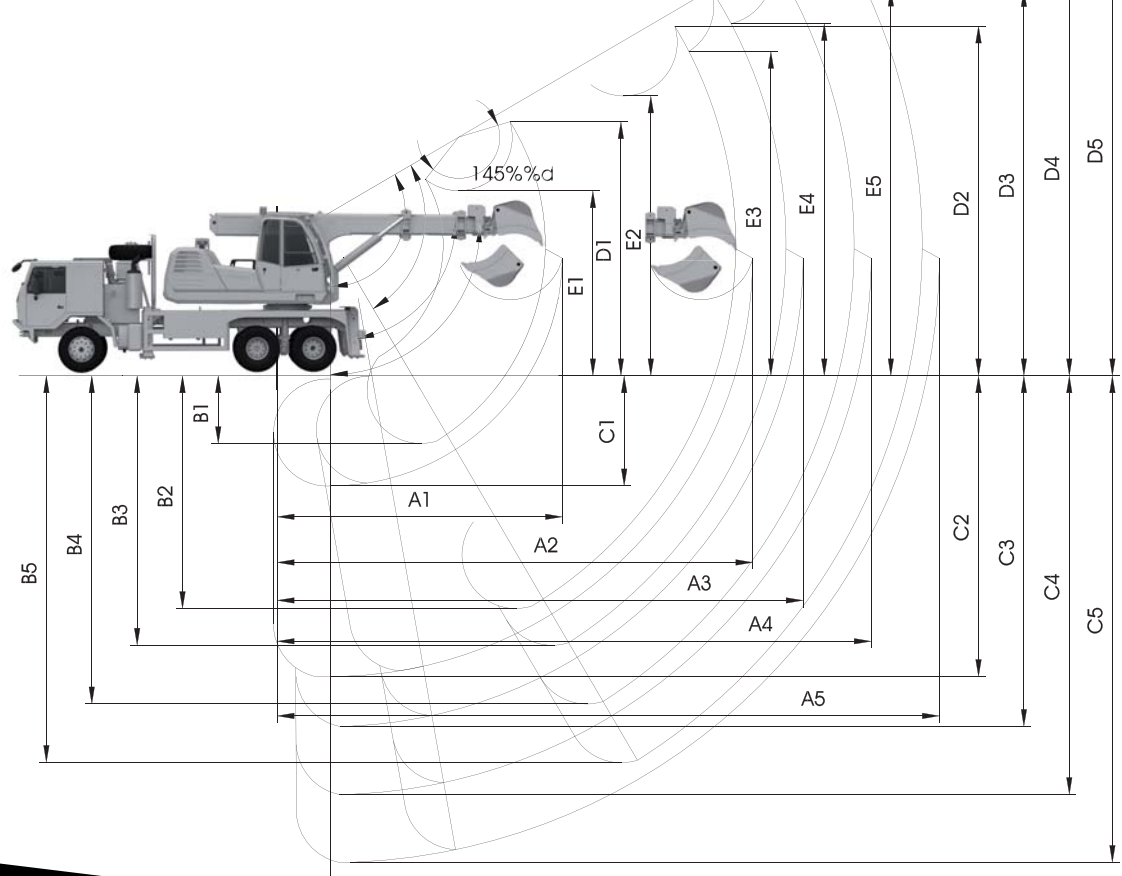




UDS 214

Self-propelled, multi-purpose landscaping machine mounted on TATRA T 815 721 chassis (alternatively other type chassis MAN, MERCEDES, RENAULT). The machine is primarily intended for support of engineer troops and finds its application wherever there is a need for immediate action to save lives and property, during natural disasters. It also plays an important role in military deployment, in securing technical means and structures supporting the operation of combat units.





Technical specifications

Working range

A Horizontal reach

A1 with retracted telescope	6,3m
A2 with extended telescope	10,5m
A3 with 1,5 m extension arm	11,6m
A4 with 3,0 m extension arm	13,1m
A5 with 4,5 m extension arm	14,6m

D Dumping height

D1 with retracted telescope	3,4m
D2 with extended telescope	5,5m
D3 with 1,5 m extension arm	6,6m
D4 with 3,0 m extension arm	7,4m
D5 with 4,5 m extension arm	8,2m

B Depth reach

(at telescopic arm range 0°, - 90°)

B1 with retracted telescope	2,9m
B2 with extended telescope	7m
B3 with 1,5 m extension arm	8,2m
B4 with 3,0 m extension arm	9,7m
B5 with 4,5 m extension arm	11,2m

E Height reach

E1 with retracted telescope	5m
E2 with extended telescope	7m
E3 with 1,5 m extension arm	8m
E4 with 3,0 m extension arm	8,7m
E5 with 4,5 m extension arm	9,5m

C Depth reach

(at telescopic arm range 30°, - 60°)

C1 with retracted telescope	2,1m
C2 with extended telescope	5,7m
C3 with 1,5 m extension arm	6,6m
C4 with 3,0 m extension arm	7,9m
C5 with 4,5 m extension arm	9,2m

Dimensions

» Machine length:	9450 mm
» Machine width:	2500 mm
» Machine height:	3980 mm
» Height of chassis above ground:	365 mm

Working parameters

» Output at shovelling (excavating):	115 m ³ .h ⁻¹
- retracted telescope:	7 000 kg
- extended telescope:	2 600 kg
» Maximum total excavating force from thrust and retraction of the boom:	85KN
» Load capacity on the tilting point of the telescope (without the use of extension arms)	
» Superstructure revolutions:	8 ot.min ⁻¹
» Tool revolutions:	20 ot.min ⁻¹
» Maximum travel speed:	100 km.h ⁻¹
» Climbing ability on a hard surface:	50,7 %
» Overall machine weight:	24 800 kg

TATRA 815 chassis

» Three axles, with permanent drive of both rear axles, with possibility to engage the front axle drive and differential closures. 6x6 drive, chassis engine output:	230 kW
----------------------------------------------------------------------------------------------------------------------------------------------------------------------	--------

Superstructure engine

» Engine:	93 - 104kW pri 2200 ot.min ⁻¹
» General description:	compression ignition, four-stroke with direct fuel injection, in-line, vertical
» Cooling:	liquid-type with forced circulation and thermo regulator
» Lubrication:	engine oil circulation under pressure
» Number/ volume of cylinders:	4 / 4,5 dm ³
» Hydraulic system:	REXROTH

Working equipment

A telescopic boom - basic working range:	+ 30°, -60°, when readjusted positioning arm: 0°, - 90° from the horizontal plane.
The range of tool tilting:	145°, 145°, both directional 360°rotation of the tool
Additional hydraulics:	for hydraulically controlled attachments is mounted in the working tool rotation circuit (as a standard for modification 41 and on request for modification 42) and enables the use of hydraulically driven attachments.

Operation modes of UDS 214 modification 41

The UDS 214 modification 41 machine can operate in two modes:

- » „WORK“ mode - working with the superstructure
- » „DRIVE“ mode - enables control of the auxiliary drive - microtravel (to cover short distance on site), as well as the stabilizing supports directly from the superstructure cabin, without the need to start the undercarriage engine.

The UDS 214 modification 42 is without microtravel function (auxiliary drive).

Hydraulic power units

» double hydro-generator A8 VO 107	
» gear hydro-generator 1PF 2G2 - 016:	non-regulatory
Distributors:	seven-circuit monoblock 7M8-22